

Garrison™ Rugged 2.4GHz RFID Active Tag (Model: HKRAT-RT02)

HKRAT-RT02 provides excellent reading range and reliability for industrial applications in extreme or harsh environments like construction sites and tunnels.

With its robust design, it is durable performs reliably in environments with metal and other non-RF-friendly items. This ensures an accurate readability. It is also suitable for working under heavy duty environment.

HKRAT-RT02 enables the most cost effective operation in the long term. Unlike other active RFID tags, RT02's battery is replaceable but the tag is still water-proof and dust-proof. Operators can replace a new battery when it runs out.

RT02's mounting design allows users to fix it on various items easily. It is user-friendly and convenient to install.



Garrison™ Rugged 2.4GHz Active RFID Tag
 (P/N: HKRAT-RT02)

Special Features:

- Waterproof, dust proof, shock proof, IP65
- Replaceable battery
- Convenient Mounting Design
- Stable Performance
- Durable with special plastic



Industrial Applications:

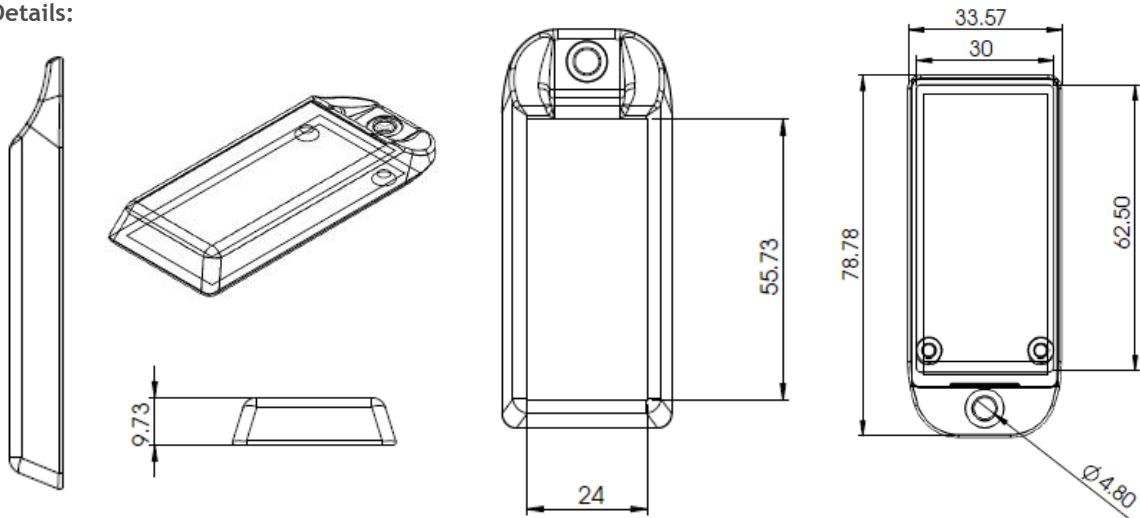
- Heavy duty, Harsh Environment
 E.g. Construction site
- Long Distance Identification
- Locating & Tacking
- Automation System
- Vehicle Management
- Warehouse Management



■ Specification for Garrison™ Rugged 2.4GHz Active Tag (HKRAT-RT02):

Frequency	2.4GHz ~2.5GHz ISM
RF Power Output	0dBm (1mW)
Power	16~18µA, 3V
Modulation	GFSK
Data Rate	1Mbps
Anti-Collision	Read more than 100 tags simultaneously
Operation	Read only. With unique ID
Battery Type	Lithium CR2450 replaceable coin cell
Battery Life	Around 3 years (battery life measured at 3-second motion beacon interval)
Reading Range	30 to 50 meters (Depends on Reader)
Dimension	78.8mm * 33.6mm * 9.7mm

Tag Details:



Product Certificates:



Company Awards:



For enquiry, please contact:

Email: sales@hk-rfid.com

Tel: (852) 3426 9510 Fax: (852) 3426 9519

Distributor: